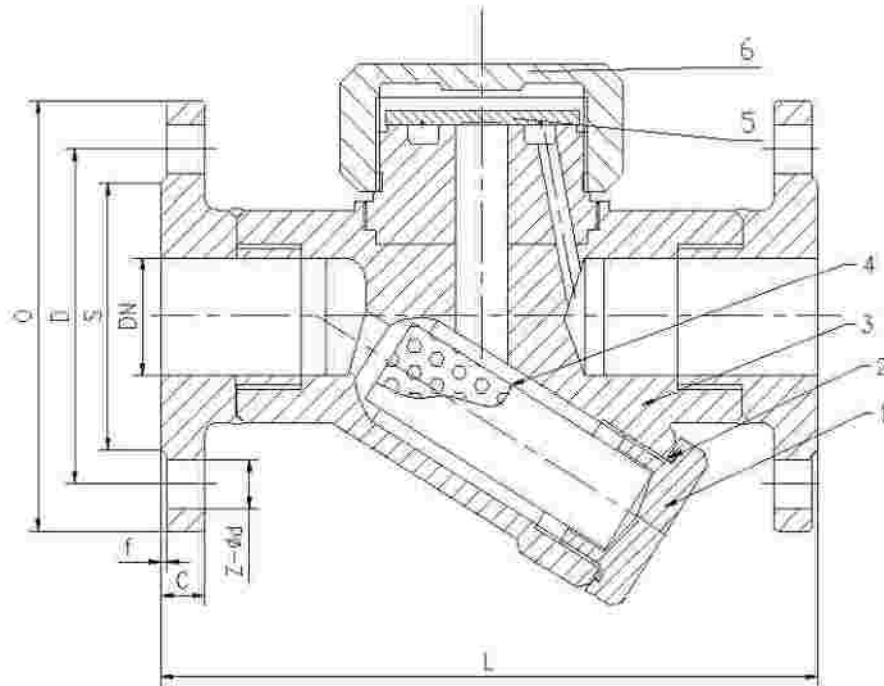


THERMOSTATIC STEAM TRAP

Technical Requirements

1. Design & manufacture as to: JB/T9093-1999
2. Face-to-face dimension standard as to: GB/T12250-2005
3. Flange dimension conforms as to: ASME B16.5
4. Testing record as to: API598
5. Pressure-temperature conforms as to: ASME B16.34

Performance Standard		
Nominal Bore	1"	NPS
Nominal Pressure	150	Lb
Pressure test		
Shell Test	3.0	MPa
Seal Test	2.2	
Air Test	0.6	
Working Temperature	-29° C ~425° C	
Suitable Medium	W O G	



DN	L	Ø	D	S	C	f	Z-ød
25	160	110	79.5	51	14.5	1.6	4-16

COVER	A105		
DISC	2Cr13		
FILTER	304		
BODY	A105		
BASKET	304 + Graphite		
PLUG	A105		
NAME	MATERIAL		



THE BEST SOLUTION TO YOUR CORROSIVE PROBLEMS

1609, Antares 480,
Suite 214A, Chomedey
Local, Québec, H3L 3W4,
CANADA

Any Copy, Reproduction Or Translation Of This
Information Either Wholly Or In Part, Without
The Express Written Agreement OF VALVTEC
Canada Is Expressly Forbidden