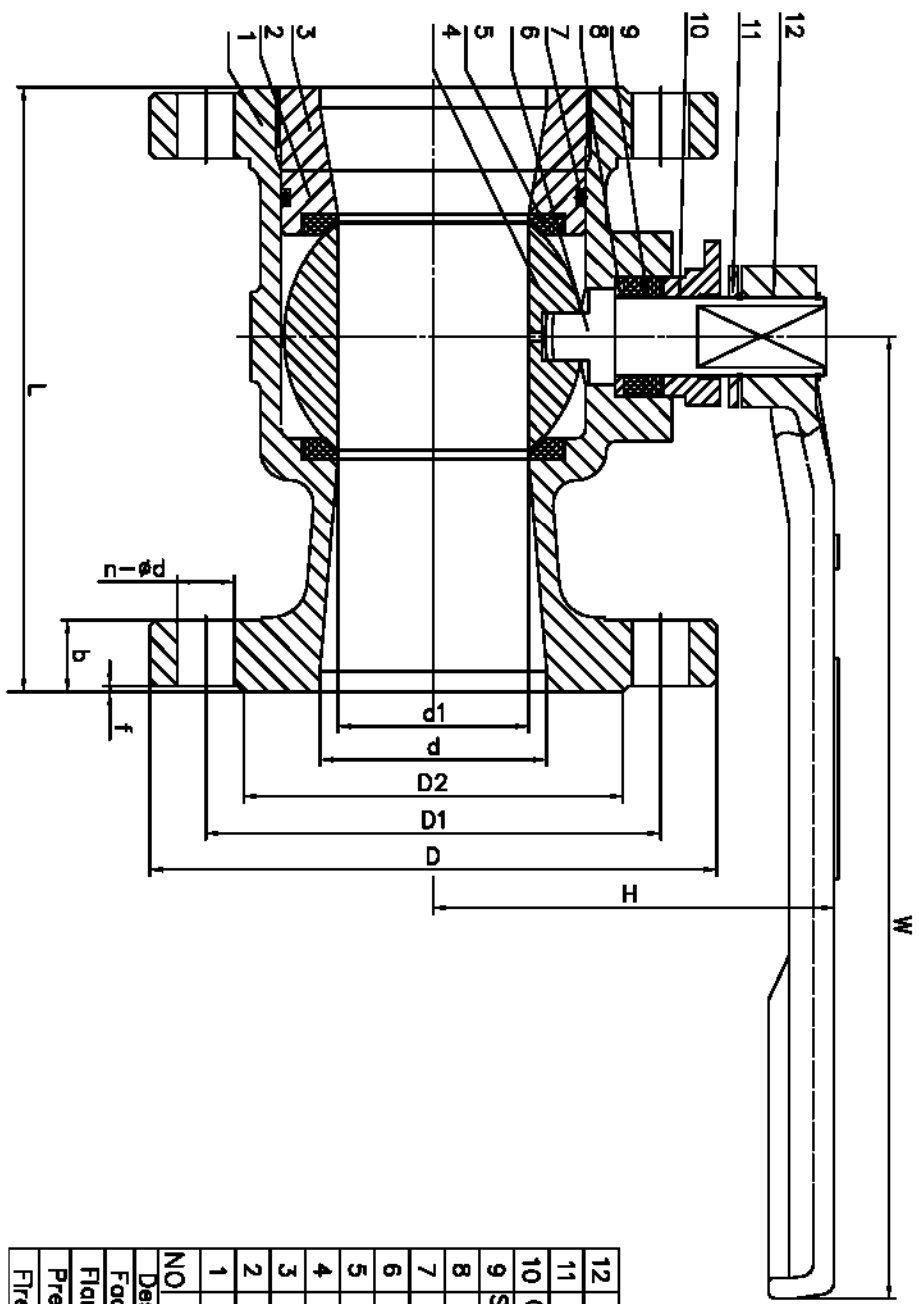


BALL VALVES CLASS300



ITEM	Nominal Diameter		Main Dimension (mm)										
	Inches	mm	d	d1	D	D1	D2	L	H	W	b	f	n-φd
1	1"x3/4"	25x20	25	19	125	88.9	50.8	165	98	140	17.9	2	4-φ19
2	1-1/2"x1"	40x25	38	25	155	114.3	73	190	110	175	21.1	2	4-φ22
3	2"x1-1/2"	50x40	49	38	165	127	92.1	216	137	230	22.7	2	8-φ19
4	3"x2"	80x50	74	49	210	168.3	127	283	167	280	29	2	8-φ22
5	4"x3"	100x80	100	74	255	200	157.2	305	205	320	32.2	2	8-φ22
6	6"x4"	150x100	150	100	320	269.9	215.9	403	295	800	37	2	12-φ22

PERFORMANCE SPECIFICATION		
Nominal Pressure	Class 300	
Testing Pressure	Shell	7.5 MPa
	Upper Seal	-
	Seal	5.5 MPa
Working Temp.	-23~200 °C	
Application:	Water, Oil & Gas	

12	Lever	Carbon Steel	
11	holding ring	1045	
10	Gland Flange	ASTM A216 WCB	
9	Stem Packing	Graphite	
8	Gasket	Graphite/SS304	
7	O-Ring	VITON	
6	Stem	ASTM A182 F304	
5	Seat Ring	PTFE	
4	Ball	ASTM A182 F304	
3	Bonnet	ASTM A216 WCB	
2	Seat	ASTM A182 F304	
1	Body	ASTM A216 WCB	
NO. PART NAME		MATERIAL	REMARKS
Design and Manufacture		API 6D	
Face to Face Dimensions		ASME B16.10	
Flange Ends Dimensions		ASME B16.5	
Pressure Test		API 598	
Fire safe		API 607	



THE BEST SOLUTION TO YOUR CORROSION PROBLEMS
 1605, Avenue 400, Any City, Reproduction Or Translation Of This
 Sable 2184, Chomedey, Information Entails Validity On The Part, Valvtec
 Laval, Quebec, H7L 3W2, The Express Written Agreement Of VALVTEC
 CANADA
 Canada's Expertly Fabricated
 Robustness Industrielle, Transamerica et Accessoires