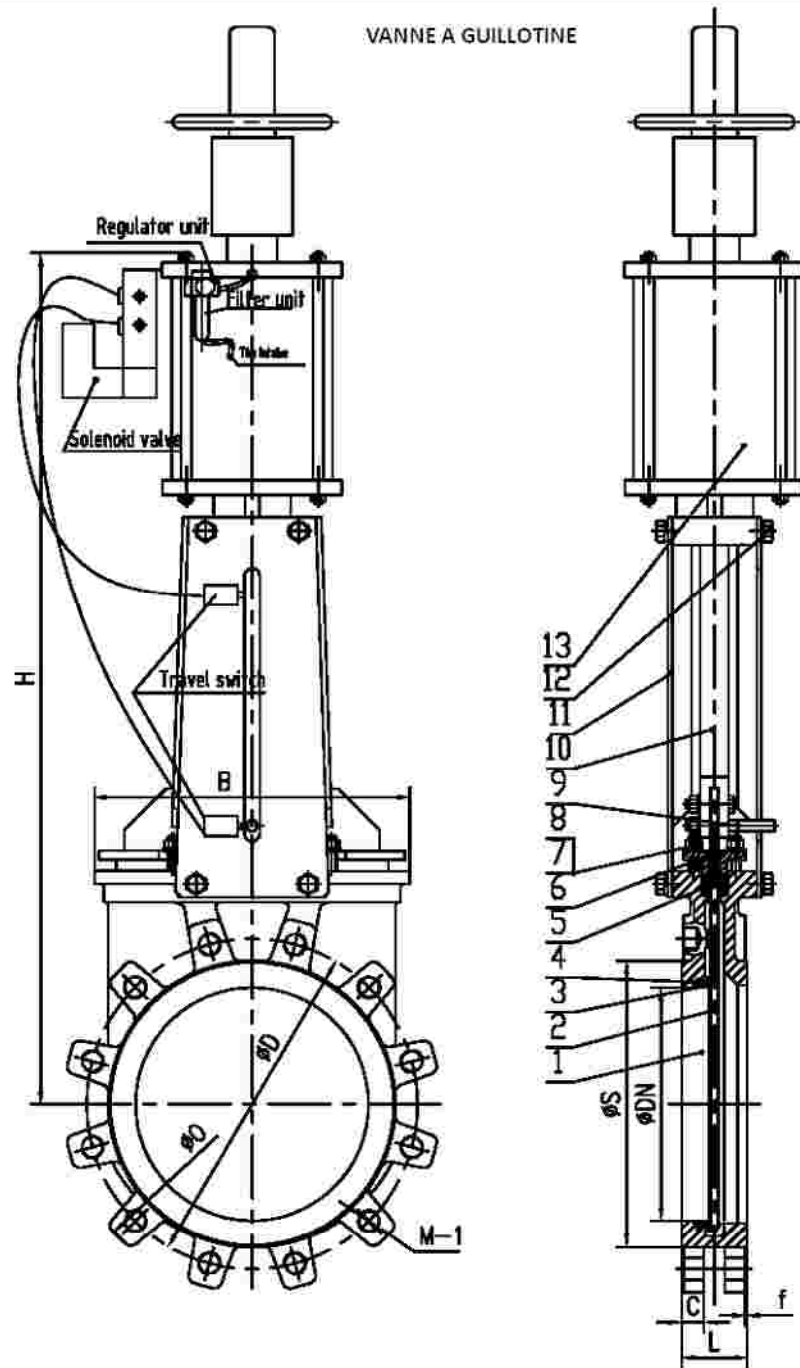


VANNE A GUILLOTINE



PRESSIONS / TEMPERATURES
PRESSIONS MAXIMALES DE SERVICE

- DN 50-250 : 10 bar
- DN 300-450 : 7 bar
- DN500-600 : 4 bar
- DN700-900 : 2 bar
- DN1000-1200 : 1 bar

PRESSIONS MAXIMALES DE SERVICE : Nitrile: 80°C, PTFE: 200°C

NPS	L	O	D	S	C	F	M-1 (UNC)	B	H	Poids (KGS)
14	76	533	476	416	33	1.6	12-M1"-8	460	1370	195

NO.	Part Name	Matériel	Remarque
13	Cylinder	Combination	
12	Bolt	ASTM A193 B8M	
11	Support plates	SS316	
10	Air cylinder stem	ASTM A266	
9	Position indicator	ASTM A276 420	
8	Nut	ASTM A194 8M	
7	Bolt	ASTM A193 B8M	
6	Gland follower	ASTM A351 CF8M	
5	Packing	PTFE+Silicone	
4	Seat	PTFE	
3	Seat retainer ring	SS304L	
2	Gate	SS304L	
1	Body	ASTM A351 CF8M	
NO.	Part Name	Matériel	Remarque



THE BEST SOLUTION TO YOUR CORROSIVE PROBLEMS!

1601, Avenue 490, Any Copy, Reproduction Or Translation Of This
 3660-2144, Canada, Information Either Wholly Or In Part, Without
 Local Quebec, BIL 0W2, The Express Written Agreement OF VALVTEC
 CANADA, Canada Is Expressly Forbidden.