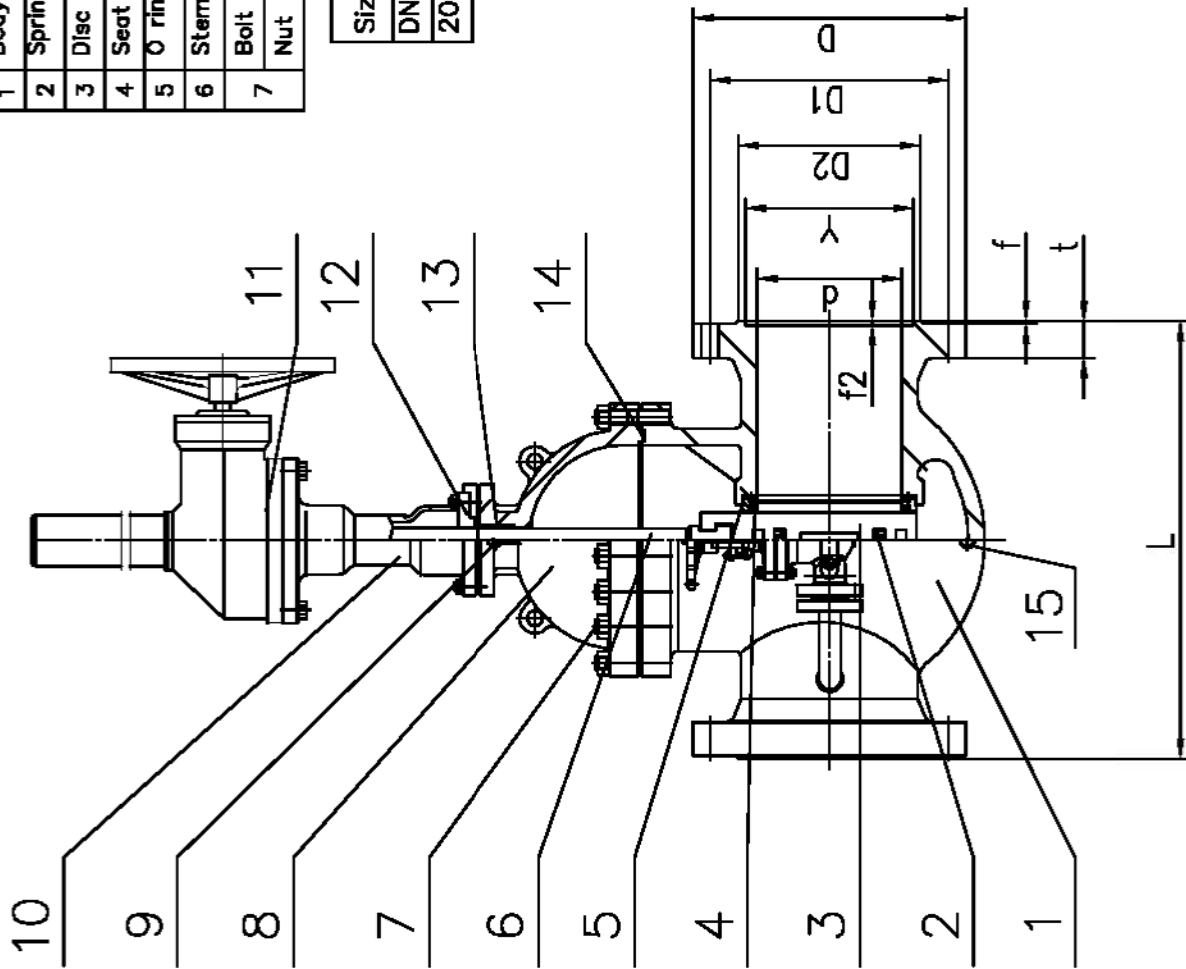


Parallel slide Gate Valve PN100, DN200



No. Parts	Name	Materials	No. Parts	Name	Materials
1	Body	ASTM A216 WCB	8	Bonnet	ASTM A216 WCB
2	Spring	Inconel X750	9	Oiling device	SUBASSMBLY
3	Disc	ASTM A515 Gr70+ENP	10	Yoke	ASTM A216 WCB
4	Seat	A105+13Cr+ENP+RPTFE	11	Bevel gears	
5	O ring	NBR	12	Packing gland	ASTM A216 WCB
6	Stem	AISI 403	13	Packing	GRAPHILE
7	Bolt	ASTM A193 B7	14	Gasket	304+Graphite
	Nut	ASTM A194 2H	15	Blowdown stop	AISI 1020

Size	PN100 Main Dimension (mm)									
DN	d	L	D	D1	D2	Y	t	n-ød	f	f2
200	201	643	430	360	285	260	52	12-ø36	3	4.5

Specification Standard Sheet	
Shell Test Pressure	15
Seal Test Pressure	11
Air Test Pressure	0.6
Applicable Temperature	-29~121°C
Applicable Medium	Water, Gas, Oil etc

Property Specification

1. Design and manufacturing as per API 6D
2. Face to face as per EN558;
3. Flange dimensions per EN 1092-1/F;
4. Inspection and test as per API 6D.



THE BEST SOLUTION TO YOUR CORROSIVE PROBLEMS
 1605, Autoroute 440, Any Copy, Reproduction Or Translation Of This
 Suite 214A, Chomedey Information Either Wholly Or In Part, Without
 Laval, Quebec, H1L 3W3. The Express Written Agreement Of VALVTEC
 CANADA Canada Is Expressly Forbidden