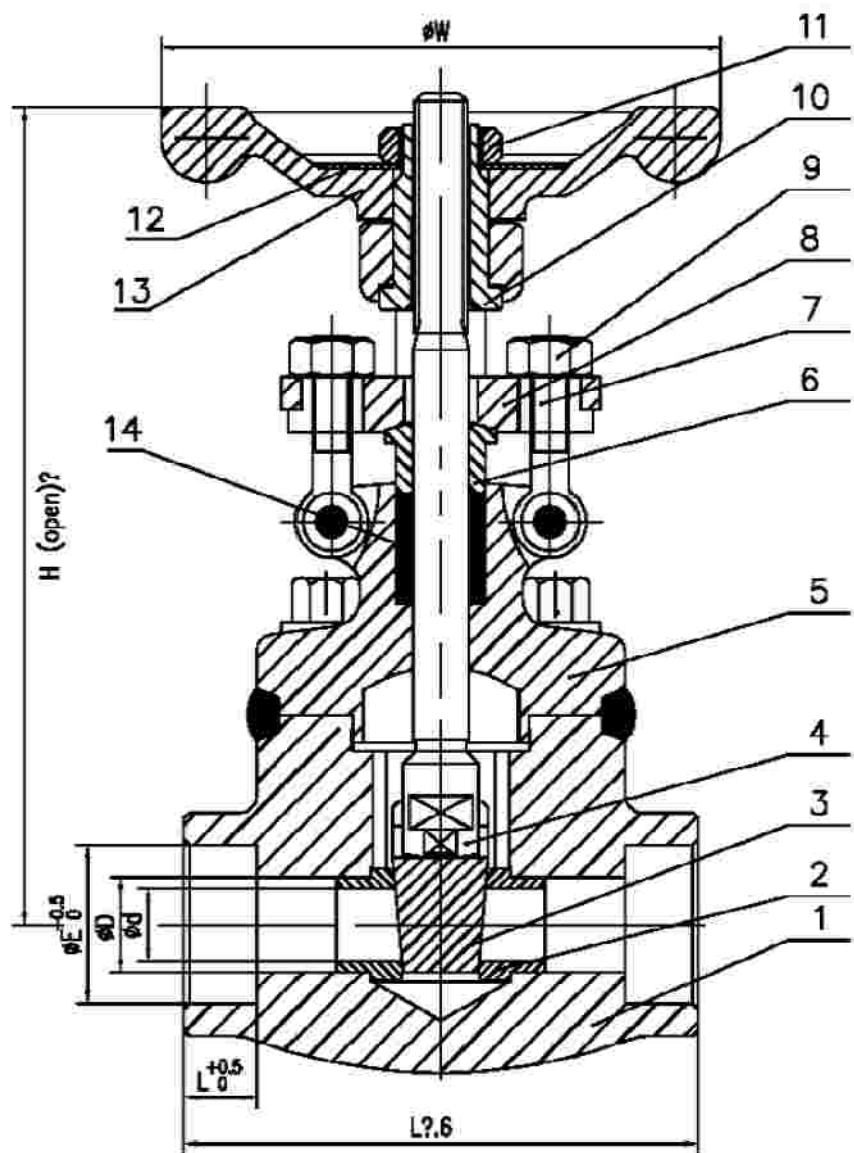


1500	1 1/2"	14.8	13	48.8	29	35	283	178	W
CLASS	MPS	L	L1	E	d	D	H	W	Ø(Kg)



16	Packing	Flexible Graphite
13	Handwheel	A 197
12	Nameplate	SS304
11	H.W. Nut	C.S
10	Yoke Nut	ASTM A193
9	Gland Nut	ASTM A194 2H
8	Gland Flange	ASTM A195
7	Gland Eyebolt	ASTM A193 B7
6	Gland	ASTM A182 F6a
5	Bonnet	ASTM A185
4	Seat	ASTM A182 F6a
3	Wedge	ASTM A182 F6a
2	Seat Ring	ASTM A182 F6a
1	Body	ASTM A185
No.	Part Name	Material

<b>Gate Valve CLASS 1500</b>	
Design and Manufacture	API 602
Face to Face Dimensions	MFG'S
End Connection	ASME B16.11
Pressure-temperature	ANSI B16.34
Test & Inspect	API 598
OTHER REQ.	

CLASS	1500	
TEST	SHELL	37.5
	SEAT	27.5
	BACKSEAT	27.5
	AIR	8.6
TEMPERATURE: -29-425?		
MEDIUM: WATER, OIL, GAS, ETC.		



THE BEST SOLUTION TO YOUR CORROSIVE PROBLEMS

1605, Avenue 480, Laval, Québec H7L 3W1, CANADA

Any Copy, Reproduction Or Translation Of This Information Either Wholly Or In Part, Without The Express Written Agreement OF VALVTEC Canada Is Expressly Forbidden.